

Imperial Ware products are distributed in Australasia by Bathroom & Kitchen Supplies Pty Ltd.

Imperial Bathroom Products Ltd is a subsidiary of HKR International Ltd, a leading Hong Kong public company.

HKR is a company with diverse assets in property development, hotels and manufacturing in Hong Kong and overseas.

When you buy Imperial Ware you buy peace of mind. Imperial Ware guarantees its vitreous china against defects in materials and workmanship for a period of ten years (internal mechanisms 12 months) from the date of purchase, provided they are installed by a licensed plumber.



Australian Standard

AS1172-1 Lic. No. 1618
AS1172-2 Lic. No. 1617
Standards Australia

B&K KS

Australia

Bathroom & Kitchen Supplies Pty Ltd

ABN 27 069 979 577

Suite 8, 707 Mt Alexander Rd,
Moonee Ponds, Victoria 3039, Australia

Website: www.bathroomandkitchen.com.au

E-mail: sales@bathroomandkitchen.com.au

Phone number: 1300 667 257

Fax number: 1300 667 258

New Zealand

Heirloom International Limited

PO Box 58 - 530

Greenmount, Auckland, New Zealand

Website: www.heirloom.co.nz

Free Phone: 0800 HEIRLOOM (4347 56)

Phone number: 64 - 9 - 274 4443

Fax number: 64 - 9 - 274 5577

* Approval pending.



imperial ware

luxury by design...

introducing:

 TM
water efficient 4.5/3l



bathroom collection 2005

www.bathroomandkitchen.com.au

* Approval pending.

evo

“Luxury by design”



Imperial Ware bathroom collection 2005

1 pictured on front cover: salo wall faced suite

sonnet



lara deluxe



tribune close coupled



clarence deluxe

Imperial Ware

bathroom collection 2005

The Imperial Ware 2005 Collection has introduced a comprehensive range of elegant, contemporary designs.

Water conservation is an issue that the design team at Imperial Ware has embraced. The introduction of the new EVO flush systems in our new suites has combined luxurious design with the efficiency of the AAAA rating.*

Our innovative, luxurious designs, combined with our water efficient technology, have created a new era of bathroom products.

*Approval pending.



'advanced water smart conservation'



All Imperial Ware™ EVO™ products feature this mark.

:toiletsuites



lucerne link suite



lucerne short projection close coupled suite



avon deluxe pan-pac

introducing:



As the world's environmental resources are starting to diminish, Imperial Ware have developed technology to minimize the effect of our products on the environment.

The new EVO™ system developed by Imperial Ware™ is environmentally conscious technology specifically designed to reduce the impact we have on our environment.

Each Imperial Ware™ EVO™ product features a dual flushing system using only 4.5 litres of water for a full flush and 3 litres for a half flush without compromising on performance.

Existing toilet systems can use between 6 to 11 litres of water per full flush. The water savings the EVO™ system brings will have an enormous positive impact on our environment and our overall water efficiency.

EVO™ toilets also incorporate innovation with space saving technology and variable outlets.

Each new Imperial Ware™ EVO™ product comes with a AAAA Water Conservation Rating from the Water Services Association of Australia.*

*Approval pending.



evo



:toilet**suites**



tribune corner suite



tribune short projection close coupled suite



tribune short projection wall faced suite

Luxurious Design. The stunning Tribune range offers a selection of contemporary suites.



evo

“Innovation & style”



:toilet**suites**



cathay deluxe



belle deluxe

Minimalist styling. Simple elegance & innovative design.



“Sculptured form”



:toilet**suites**



tribune link



serene one piece



builders pan-pac

Created with elegance & refinement in mind, the Imperial Ware range of suites incorporates innovative design throughout our extensive range.





:toiletsuites traditional



genevieve



carlton close coupled



carlton low level

Our range of traditional, classic pieces provide an authentic period appearance to your bathroom.



:toiletsuites *plastic cisterns*

Sculptured simplicity. Simple, unobtrusive designs which blend into any contemporary bathroom.



eco pan-pac



novad pan-pac



cleo pan-pac



sonnet 600 with pedestal

“Excellent simplicity”



Imperial Ware bathroom collection 2005

15

tribune 500 wall basin with shroud

Also available in 450mm, 550mm & 600mm sizes.

:basins



genevieve 560 wall basin with pedestal

All tapware supplied by Alder Tapware.
Available Australia wide on Ph: 1800 800 919



carlton 550 wall basin with pedestal



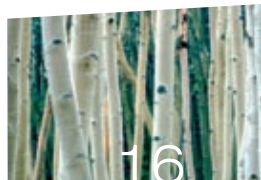
serene 560 wall basin with pedestal



clarence 560 wall basin with pedestal



belle 560 wall basin with pedestal



“Streamlined style”



:basins



tribune 530 vanity



lara 550 semi recessed



lara 510 vanity



cartlon 550 vanity



novad 570 vanity



avon 500 semi recessed



:basins



avon 350 wall basin



tribune corner basin



vada 420 counter top basin



tribune 450 powder room basin



tina 530 corner basin



salò 515 vanity

:basins



clarence 500 semi recessed



avon 400 vanity



belle 560 semi recessed



vada 420 with tap landing



maria above counter basin

Our designers at Imperial Ware have crafted our 2005 range of contemporary basins with an elegant & innovative style.



:basins



arena 420 semi recessed basin



pisa 510 counter top



arena 420 inset vanity



intrigue counter top



intrigue semi recessed



lucerne 550 above/below counter basin

:basins



crest 600 vanity



lucca semi recessed basin



monica vanity basin



vada cube basin



lucca counter top

Designed to create an impact, our exciting new basins offer any bathroom unprecedented style & beauty.



“Contemporary design”





avon wall hung pan



lara wall face pan



lara wall hung pan



sonnet bidette



carlton bidette



lara bidette



genevieve bidette



lara slop hopper



unicorn urinal



prince urinal



utilo 660mm laundry basin



cleaners sink



lab sink

:care



avon 500mm semi recessed



lara care wall faced pan



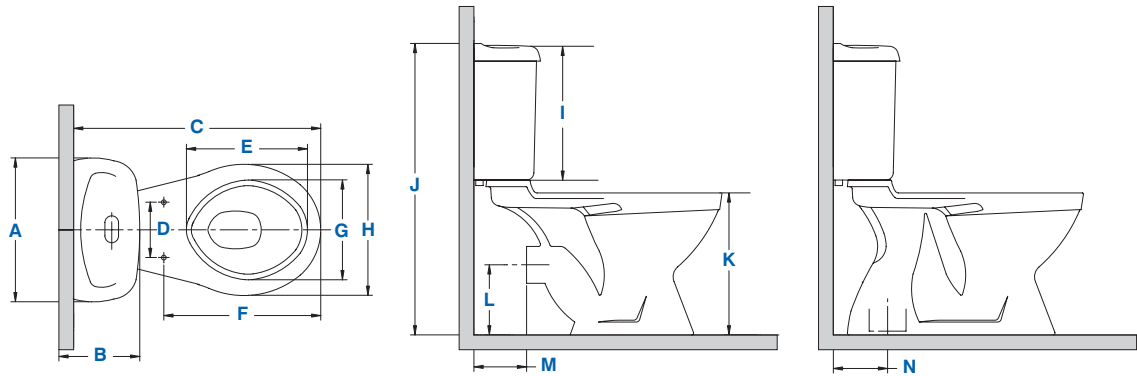
clarence 560mm wall basin



avon care

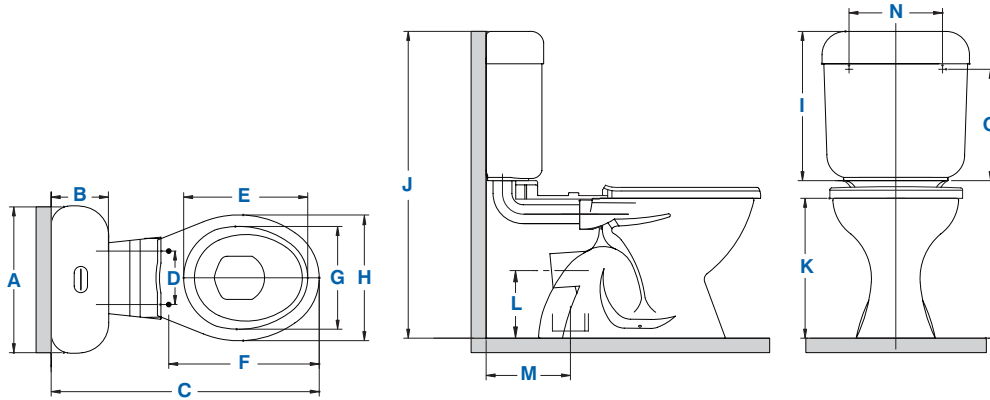
CLOSE COUPLED SUITES

Model	A	B	C	D	E	F	G	H	I	J	K	L	M	N	O
Arena Grande	385	205	690	155	310	420	260	360	360	760	395	190	135	130/190	102
Belle Deluxe	395	185	665	155	305	435	245	350	370	815	400	190	140	130/190	102
Carlton	420	200	700	155	310	420	260	360	410	830	400	190	140	130/190	102
Cathay Deluxe	395	180	670	155	330	425	285	355	385	815	395	190	120	130/190	102
Clarence Deluxe	360	190	660	155	310	420	260	360	435	825	390	190	20	140	102
Cresta Suite	395	185	680	150	300	415	260	360	370	865	400	190	n/a	130/190	
Genevieve	425	200	680	155	315	425	280	380	410	820	385	190	115	130/190	102
Lara Deluxe	360	190	680	155	305	420	255	360	415	835	395	190	140	130/190	102
Lucerne Wall Faced	385	145	610	155	310	425	260	360	380	785	400	190	20	130/190	102
Salo Pan Pac	385	175	675	155	315	420	265	350	390	820	395	190	140	130/190	102
Salo Wall Faced	385	175	660	155	330	420	280	360	390	800	390	190	20	140	102
Serene One Piece	420	170	670	140	310	420	260	370	275	670	395	190	140	130/190	102
Sonnet Pan Pac	360	165	670	155	300	425	290	400	390	840	390	190	150	130/190	102
Tribune Corner	385	325	805	155	310	425	260	360	380	800	410	190	320	340/400	102
Tribune Pan Pac	390	180	685	155	330	420	285	360	360	800	395	190	140	130/190	102
Tribune SP Close Coupled	385	145	615	155	310	425	260	360	380	800	410	190	110	130/190	102
Tribune SP Wall Faced	385	145	620	155	310	435	260	360	380	800	420	190	20	100	102



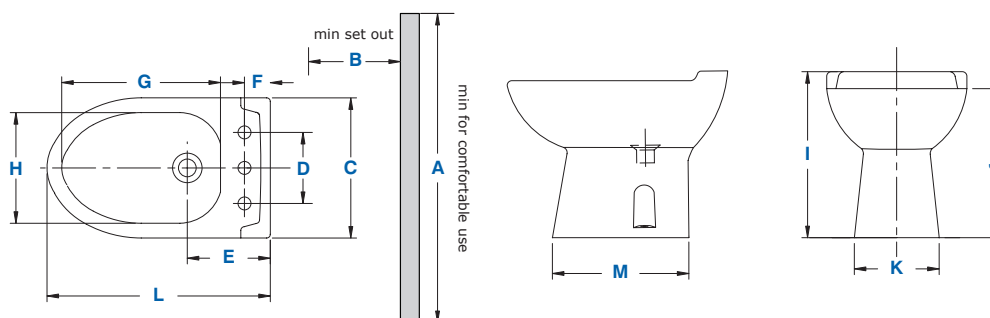
LINK \ LOW LEVEL SUITES

Model	A	B	C	D	E	F	G	H	I	J	K	L	M	N	O
Avon Care Suite	390	190	800min	155	302	425	245	360	380	960	445	185	310min	175	480
Avon Deluxe Pan Pac	390	190	640/720	155	340	420	280	350	380	845	385	185	140/220	175	350
Builders Pan Pac	390	190	645/720	155	340	420	280	350	380	807	385	185	140/220	175	350
Carlton Low Level	420	190	635/720	155	340	425	280	360	420	910	395	185	165/220	175	795
Cleo	410	160	640/775	155	340	420	280	355	335	860	385	185	140/220	175	770
Eco Pan Pac	410	160	630/710	155	340	420	280	350	410	880	385	185	140/220	260	350
Lucerne Link	385	145	630/755	150	310	430	245	355	380	855	400	190	140/220	180	765
Novad Pan Pac	410	160	645/720	155	340	420	280	350	410	870	385	185	140/220	260	790
Tribune Link	410	160	655/715	155	310	420	260	360	415	875	400	190	140/220	240	765

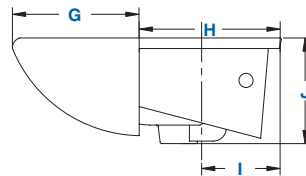
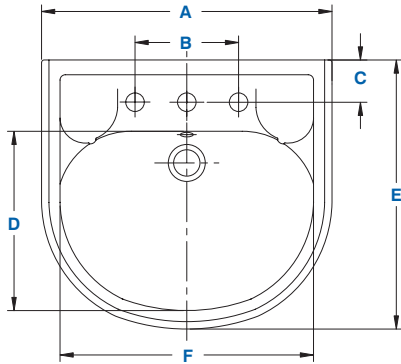
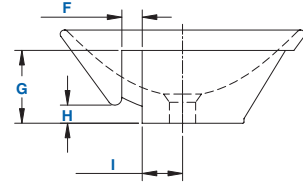
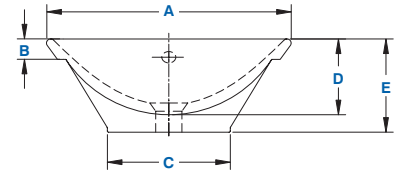


BIDETTES

Model	A	B	C	D	E	F	G	H	I	J	K	L	M
Carlton	800min	140min	370	200	225	70	410	290	470	420	230	605	370
Genevieve	800min	140min	355	200	200	80	410	240	420	350	230	600	370
Lara	800min	140min	380	200	225	70	430	290	452	420	230	605	370
Sonnet	800min	140min	340	200	225	75	400	320	390	390	250	590	410



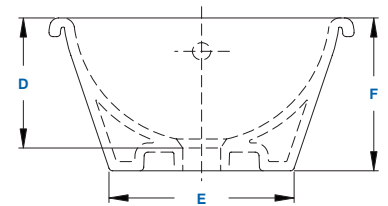
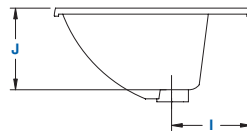
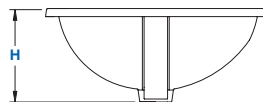
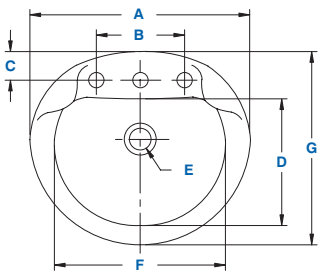
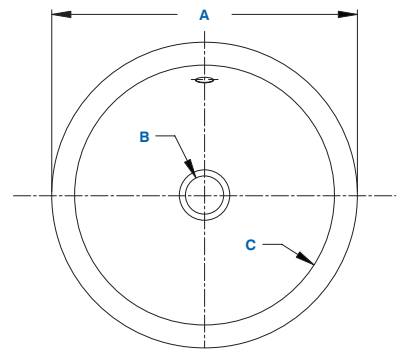
SEMI RECESSED BASINS										
Model	A	B	C	D	E	F	G	H	I	J
Arena 420mm s/rec	420	200	65	322	470	360	148	322	175	200
Avon 500mm s/rec	500	200	55	300	440	400	180	260	175	210
Belle 560mm s/rec	560	200	55	310	455	465	205	250	215	220
Clarence 500mm s/rec	500	200	70	315	480	470	210	270	210	190
Intrigue s/rec	500	200	70	298	465	420	150	315	200	185
Lara 550mm s/rec	550	200	80	320	505	475	240	265	210	200
Lucca s/rec basin	600	n/a	n/a	370	450	520			125	200
Vada 420mm s/rec	420	35	210	130	160	35	106	35	70	



Semi Recessed Basins

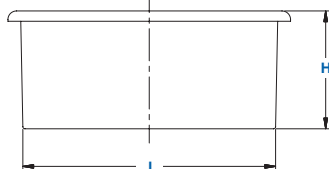
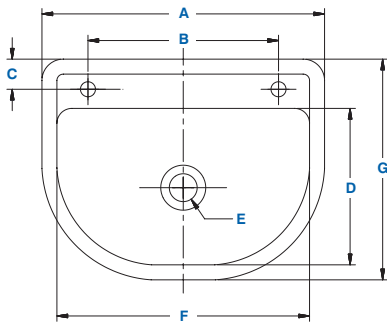
Vada s/rec

VANITY BASINS										
Model	A	B	C	D	E	F	G	H	I	J
Arena 420mm Inset Vanity	420	200	60	315	40	360	465	200	175	155
Avon 400mm Round Vanity	400	40	360	150	245	200				
Carlton 550mm Vanity	550	200	80	295	40	410	475	240	205	
Crest 600mm Vanity	600	200	70	110	40	520	275	450	n/a	205
Lara 510mm Vanity	510	200	60	295	40	420	455	210	195	175
Lucerne 550mm Above/Below Counter	550	n/a	n/a	410	40	490	470	205	235	185
Monica Vanity	545	n/a	n/a	330	40	460	410	210	165	210
Novad 570mm Vanity	570	200	65	260	40	420	425	195	200	
Salo 515mm Vanity	515	200	70	295	40	465	455		205	
Tribune 530mm Vanity	530	200	65	260	40	380	410	210		
Utilo	660	445	70	370	50	590	520	275	590	

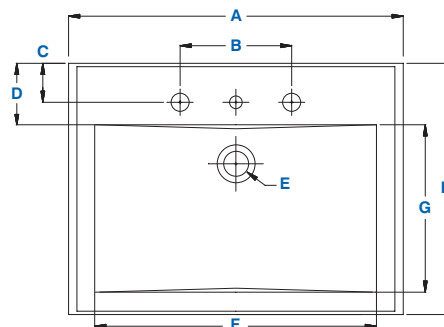


Vanity Basins

Avon Round Vanity

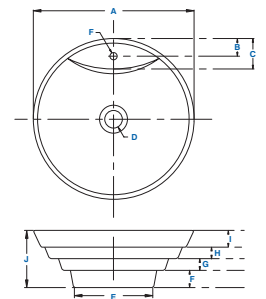


Utilo

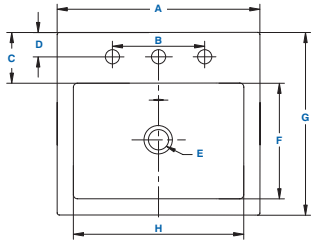


Crest Vanity

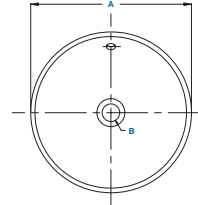
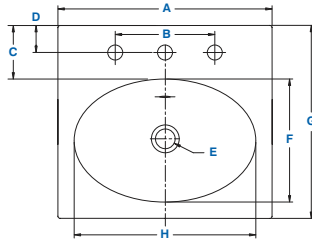
COUNTER TOP BASINS													
Model	A	B	C	D	E	F	G	H	I	J	K	L	
Intrigue Counter Top	600	200	175	135	40	420	510	570	235	n/a	510	250	
Lucca Counter Top	550	n/a	55	230	40	435	385	200	180	175			
Maria Above Counter Basin	485	n/a	n/a	n/a	40	n/a	380	n/a	160	160	380	190	
Pisa 510 Counter Top	510	200	125	70	30	285	450	420	200	150	460	270	
Vada 420mm Counter Top	420	40	160	210	45								
Vada 420mm w/tap landing	420	40	160	210	n/a	53	104						
Vada 475mm Stepped Vessel	475	70	125	40	220	55	95	135	200	240			
Vada Cube Basin	330	265	270	330	40	100	213	15					



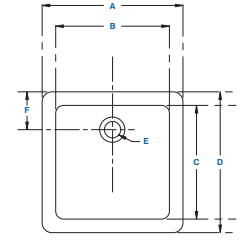
Vada Stepped Vessel



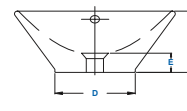
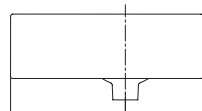
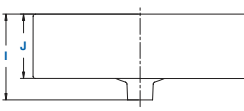
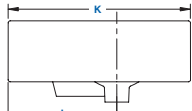
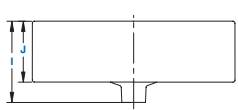
Pisa Basin



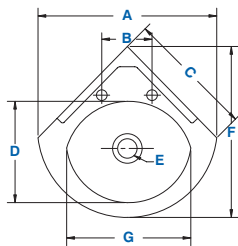
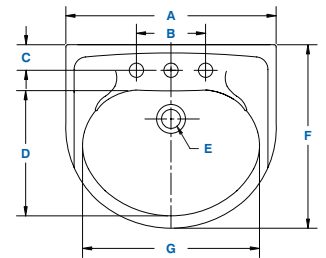
Vada Table Top



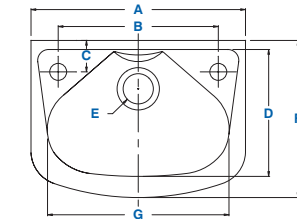
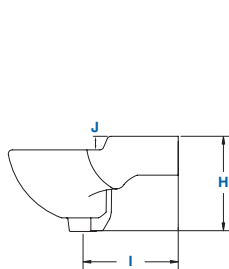
Vada Cube



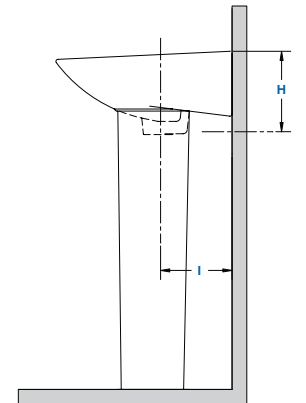
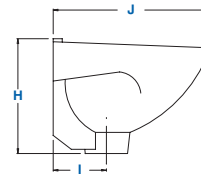
WALL BASINS														
Model	A	B	C	D	E	F	G	H	I	J	K	L	M	
Avon 350mm	355	265	50	195	40	255	300	185	80	255	185	30	355	
Belle 560mm	560	200	50	300	40	455	465	210	185					
Carlton 450mm	450	150	55	235	40	350	380	230	130					
Carlton 550mm	550	200	60	310	40	470	465	295	185					
Clarence 560mm	560	200	70	320	40	470	475	200	195					
Genevieve 560mm	560	200	60	285	40	480	475	285	185					
Lara 510mm	510	200	60	300	40	435	435	195	175					
Serene 560mm	560	200	70	325	40	500	490	225	195					
Sonnet 600mm	600	200	60	300	40	470	510	210	190					
Tina 430mm Cnr Basin	540	n/a		260	40	465	340	205	230	5				
Tribune Cnr Basin	460	180	330	235	40	440	295	230	235	30				
Tribune 450mm	450	200	55	220	40	380	380	210	200					
Tribune 450mm Powder Room	450	200	55	220	40	380	380	210	200					
Tribune 500mm	500	200	55	260	40	410	430	210	200					
Tribune 550mm	550	200	65	315	40	480	465	210	215					
Tribune 600mm	600	200	65	320	40	470	520	210	180					



Tribune Cnr Basin

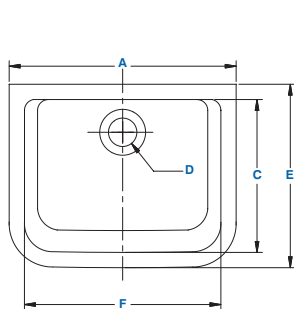


Avon 350mm

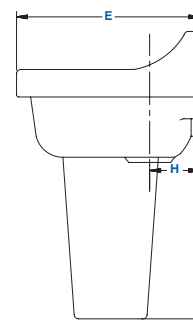
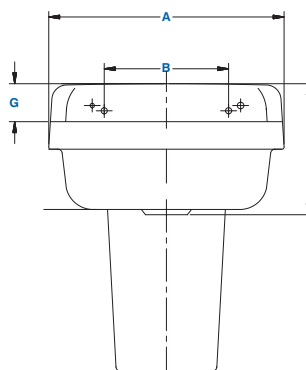


Wall Basins

COMMERCIAL BASINS									
Model	A	B	C	D	E	F	G	H	I
Cleaners Sink	545	285	350	50	420	470	110	115	300
Lab Sink	550	n/a	305	50	375	475	15	140	230



Cleaners Sink



:Imperial Ware Toilet Suite Features

TOILET SUITE FEATURES	PLASTIC CISTERN	LINK	OPEN RIM	BOX RIM	VC CISTERN	CLOSE COUPLED	SHROUDED PAN	VARIABLE SET-OUT
Arena Grande				4	5	6	7	8
Avon Deluxe Pan Pac		2	3		5		7	8
Belle Deluxe				4	5	6	7	8
Builders Pan Pac		2	3		5			8
Carlton Low Level Suite				4	5		7	8
Carlton Suite				4	5	6	7	8
Cathay Suite			3		5	6		8
Clarence Deluxe Wall Faced				4	5	6	7	
Cleo Pan Pac	1	2	3					8
Cresta Suite				4	5	6	7	8
Eco Pan Pac	1	2	3					8
Genevieve				4	5	6	7	8
Lara Deluxe Suite				4	5	6	7	8
Lucerne Link Suite		2		4	5		7	8
Lucerne SP Close Coupled [^]				4	5	6	7	8
Lucerne Wall Faced Suite				4	5	6	7	8
Novad Pan Pac	1	2	3					8
Salo Close Coupled Suite				4	5	6	7	8
Salo Wall Faced				4	5	6	7	
Serene One Piece				4	5	6	7	8
Sonnet Suite				4	5	6	7	8
Tribune Link Suite		2		4	5		7	8
Tribune Close Coupled Suite				4	5	6	7	8
Tribune Corner Suite				4	5	6	7	8
Tribune SP [^]				4	5	6	7	8
Tribune SP Wall Faced [^]				4	5	6	7	

1 Plastic Cistern: Moulded from high quality polypropylene. Imperial Ware plastic cisterns are hygienic and easy care. Choose Imperial Ware plastic cisterns where a reliable value for money solution is required. Robust and lightweight. Easy to install with left and right inlet options. Can be installed in low or ultra low position.

2 Link Suites: A polypropylene bridging piece to connect the pan and cistern. The link piece covers the flush pipe and provides a more visually appealing and streamlined style. A link suite will usually be required where the outlet centre is not at the standard 140cm from the wall.

3 Open Rim: The traditional design of the upper rim of the toilet pan with the flush area being fully open to the pan for an efficient flush action.

4 Box Rim: The upper rim of the pan has holes to direct the water flow onto the side of the pan during the flushing operation for efficient cleansing of the pan. This pan offers ease of cleaning

5 VC Cistern: High Density vitreous china cisterns are quieter filling. A china cistern matches the pan resulting in a more integrated suite with the lasting qualities and appeal of vitreous china. Left or right hand inlet options.

6 Close Coupled Suite: Connects a pan and cistern into a single unit, eliminating the need for a conventional flush pipe. This creates a toilet suite that is an integrated unit and therefore both more attractive and easier to clean. Close Coupled suites are usually designed for installation with the outlet at a 140cm centre from the wall. Selected Imperial suites come with a variable coupling to give adjustable set outs that provides some flexibility to install them when the outlet is not at a 140cm centre.

7 Shrouded Pan: A smoother and more streamlined pan that encloses most of the pan connections resulting in a more streamlined and stylish pan that is both visually appealing and easier to clean.

8 Variable Set-out: Offers the flexibility of installation where set-out is other than standard.

Water Conservation Rating: The Australian Standards rating scheme indicates the water efficiency of various products using the following ratings system:

- A = Moderate level of water efficiency
- AA = Good level of water efficiency
- AAA = High level of water efficiency
- AAAA = Very high level of water efficiency

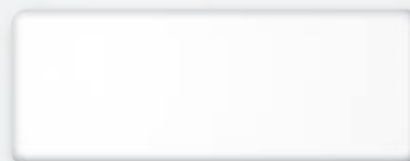
All Imperial Ware toilet suites have a minimum of a AAA rating. Some of our new suites have the AAAA rating.*

Australian Standard: Imperial Ware has Standards Australia approvals, and has been designed to meet local Australasian requirements with standard New Zealand and Australian set outs.

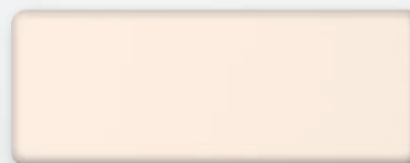
* Approval Pending.

[^] Short Projection (SP): Has minimised distance from wall for space saving.

BASINS - COMMERCIAL	0 TAP HOLES	1 TAP HOLE	2 TAP HOLES	3 TAP HOLES	WHITE	IVORY
Cleaners Sink	A				A	
Lab Sink	A				A	
BASINS - COUNTER TOP	0 TAP HOLES	1 TAP HOLE	2 TAP HOLES	3 TAP HOLES	WHITE	IVORY
Intrigue Counter Top		A		A	A	
Lucca Counter Top	A				A	
Maria Above Counter Basin	A				A	
Pisa 510 Counter Top		A		A	A	
Vada 420mm Counter Top	A				A	
Vada 420mm w/tap landing	A				A	
Vada 475mm Stepped Vessel		A			A	
Vada Cube Basin	A				A	
BASINS - SEMI RECESSED	0 TAP HOLES	1 TAP HOLE	2 TAP HOLES	3 TAP HOLES	WHITE	IVORY
Arena 420mm s/rec		A		A	A	
Avon 500mm s/rec		A		A	A	A
Belle 560mm s/rec		A		A	A	A
Clarence 500mm s/rec		A		A	A	A
Intrigue s/rec		A		A	A	
Lara 550mm s/rec		A		A	A	A
Lucca s/rec basin	A				A	
Vada 420mm s/rec	A				A	
BASINS - VANITY	0 TAP HOLES	1 TAP HOLE	2 TAP HOLES	3 TAP HOLES	WHITE	IVORY
Arena 420mm Inset Vanity	D	A		A	A	
Avon 400mm Round Vanity	A				A	
Carlton 550mm Vanity		A		A	A	A
Crest 600mm Vanity		A		A	A	A
Lara 510mm Vanity		A		A	A	A
Lucerne 550mm Above/Below Counter	A				A	
Monica Vanity	A				A	A
Novad 570mm Vanity		A		A	A	A
Salo 515mm Vanity		A		A	A	
Tribune 530mm Vanity		A		A	A	
Utilo	A		A		A	
BASINS - WALL	0 TAP HOLES	1 TAP HOLE	2 TAP HOLES	3 TAP HOLES	WHITE	IVORY
Avon 350mm		A	A		A	A
Belle 560mm		A		A	A	A
Carlton 450mm		A		A	A	A
Carlton 550mm		A		A	A	A
Clarence 560mm		A		A	A	A
Genevieve 560mm		A		A	A	A
Lara 510mm		A		A	A	A
Serene 560mm		A		A	A	A
Sonnet 600mm		A			A	
Tina 430mm Cnr Basin		A	A		A	
Tribune Cnr Basin		A	A		A	A
Tribune 450mm		A		A	A	A
Tribune 450mm Powder Room		A	A		A	
Tribune 500mm		A		A	A	A
Tribune 550mm		A		A	A	A
Tribune 600mm		A		A	A	A
BIDETTES	1 TAP HOLE	3 TAP HOLES	HO	VENTS	WHITE	IVORY
Carlton	A	A			A	A
Genevieve	A	A			A	A
Lara	A	A			A	A
Sonnet	A				A	



white



ivory

Standard

White and Ivory, refer to availability chart.

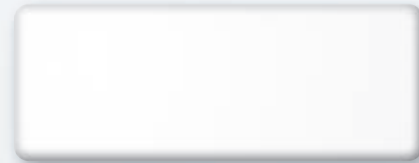
Drawings and Specifications

Materials submitted by the seller to the buyer for explanatory purposes are not binding on the seller nor do they constitute representations by the seller. The seller reserves the right to vary, alter or amend designs, drawings, specifications and colours of its products without notice.

A - Immediate (subject to availability)
D - To order

availability

SUITES - CLOSE COUPLED	S-TRAP	P-TRAP	HO	VENTS	WHITE	IVORY
Arena Grande	A	A			A	A
Belle Deluxe	A	A			A	A
Carlton	A	A			A	A
Cathay Deluxe	A	A			A	A
Clarence Deluxe	A	A			A	A
Cresta Suite	A	A			A	
Genevieve	A	A			A	A
Lara Care Wall Faced	A	A			A	
Lara Deluxe	A	A			A	A
Lucerne Close Coupled SP	A	A			A	
Lucerne Wall Faced	A	A			A	
Salo Pan Pac	A	A			A	A
Salo Wall Faced	A	A			A	A
Serene One Piece	A	A			A	A
Sonnet Pan Pac	A	A			A	
Tribune Corner Suite	A	A			A	
Tribune Pan Pac	A	A			A	A
Tribune SP Close Coupled	A	A			A	
Tribune SP Wall Faced	A	A			A	
SUITES - LINK / LOW LEVEL	S-TRAP	P-TRAP	HO	VENTS	WHITE	IVORY
Avon Care Suite	A	A			A	A
Avon Deluxe Pan Pac	A	A			A	A
Builders Pan Pac	A	A			A	A
Carlton Low Level	A	A			A	A
Cleo	A	A			A	
Eco Pan Pac	A	A			A	A
Lucerne Link	A	A			A	
Novad Pan Pac	A	A	D	A	A	A
Tribune Link	A	A			A	A



white



ivory

Standard

White and Ivory, refer to availability chart.

Drawings and Specifications

Materials submitted by the seller to the buyer for explanatory purposes are not binding on the seller nor do they constitute representations by the seller. The seller reserves the right to vary, alter or amend designs, drawings, specifications and colours of its products without notice.

A - Immediate (subject to availability)

D - To order